

maresystems

vista[®] automation technology
by **STEIN SOHN**

The guard of your
engine systems.



STEIN SOHN vista® automation

General Characteristics

The well proven **STEIN SOHN vista® automation** monitors and controls all functions necessary for the safe and efficient operations of machinery and ship-board systems including propulsion, power plant, ballast system, bilge system, transfer system, cargo system, etc.

In addition, the system has been designed with an innovative, scalable and flexible architecture for any size application, multi-level redundancy and is controlled by an intuitive, user-friendly graphical process visualization (HMI/SCADA) that allows to aggregate and present real-time information, improving decision-making processes and helping to mitigate risk.

The type approved automation system as well as the complete arrangement and installations are in full compliance with Class requirements for periodically "Unattended Machinery Spaces" (UMS).

Benefits

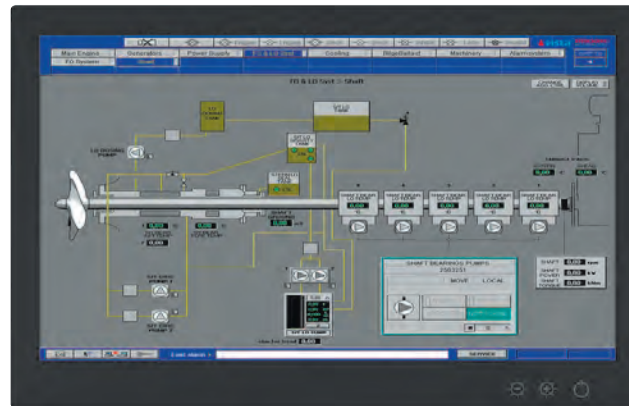
- ▶ Well proven, failsafe and reliable technology
- ▶ Long lifetime and low lifecycle costs
- ▶ User-friendly, simple and intuitive process operation
- ▶ High quality products by "Made in Germany"
- ▶ Plug-and-play components changeable by crew
- ▶ 24/7 direct technical support

Features

- ▶ Centralized or decentralized system
- ▶ Single or redundant network/server architecture
- ▶ Built-in redundancy and automatic failover (server)
- ▶ Redundant power supply
- ▶ Replaceable I/O components during runtime
- ▶ Intelligent alarm tracking

Options

- ▶ Double monitor workstations
- ▶ Paperless printer
- ▶ Field bus redundancy
- ▶ Process field computer redundancy
- ▶ Multi-language capability
- ▶ Remote connections via firewall
- ▶ Dead Man Alarm System
- ▶ Light Signal Column System



System Architecture

The **STEIN SOHN vista® automation** system allows flexibility in system architecture, from low complexity alarm system to highly integrated control and monitoring system for all types and sizes of vessels as well as offshore platform applications.

Operator Workstation

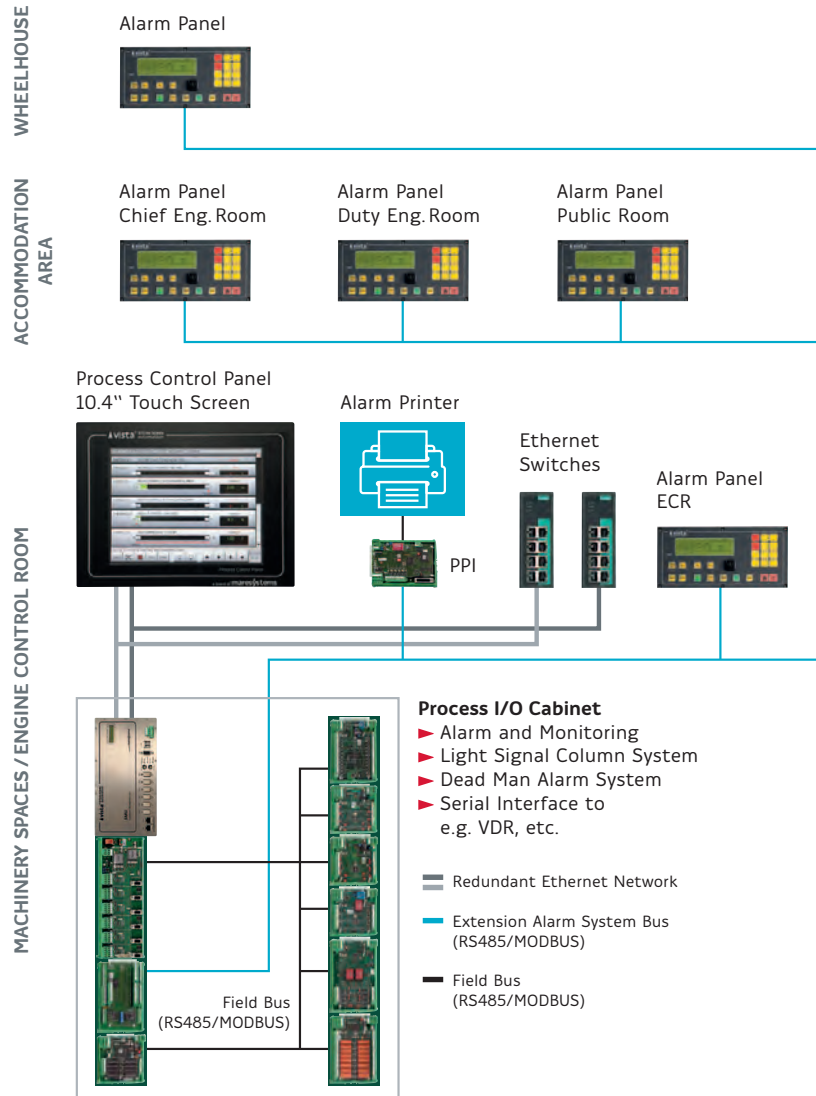
Based on Microsoft as well as Linux technologies, the automation system has been designed with an easy-to-use and multiple client/server operator workstation and provides a textual or customized graphical visualization of ship's conditions and operation, which can be controlled by simple pushbutton panel with trackball or multi-touch widescreen based on access rights.

Features

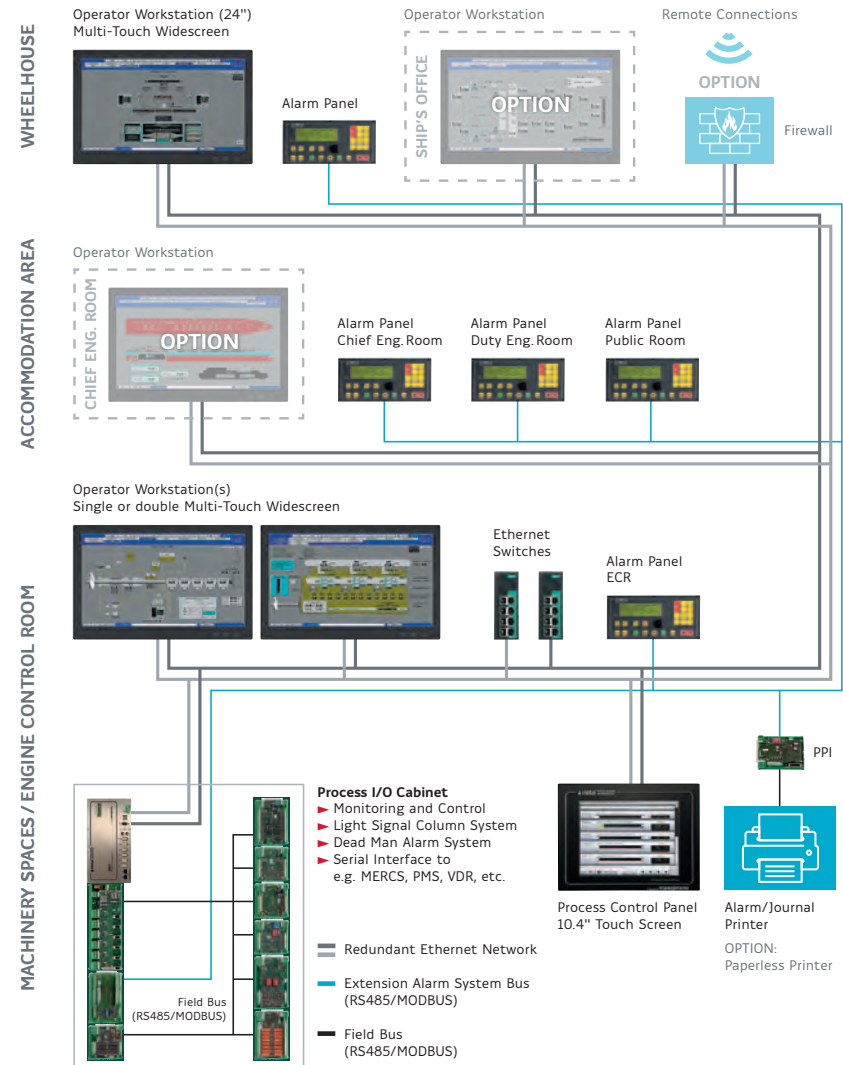
- ▶ Graphic User Interface (GUI)
- ▶ Historical and real-time trending
- ▶ Alarm filtering, delay and suppression
- ▶ Alarm link to related process display
- ▶ Measuring point grouping
- ▶ Long-term data archiving
- ▶ Self-diagnostic function

System Architecture

vista[®] Low Complexity Alarm System STEIN SOHN automation

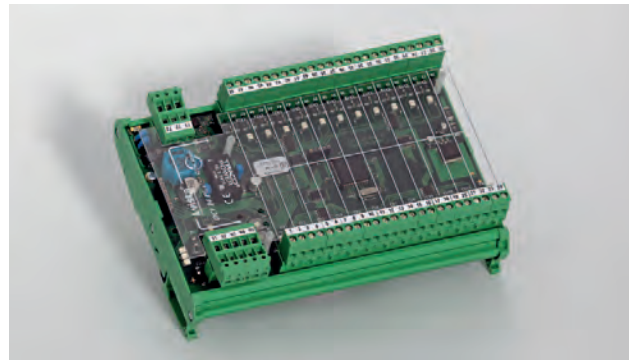
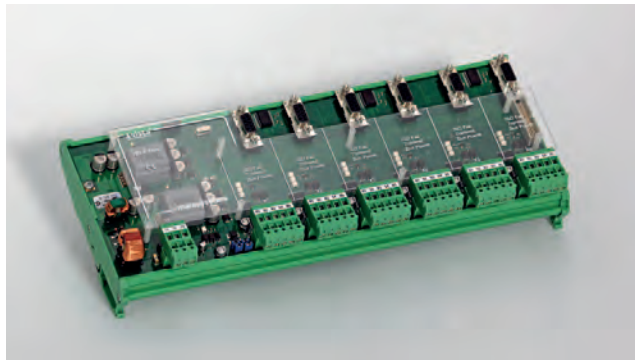
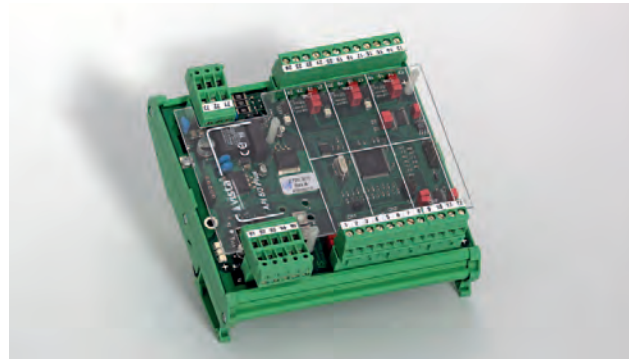


vista[®] Highly Integrated Control and Monitoring System STEIN SOHN automation



STEIN SOHN vista[®] automation

Process Components



The type approved and robust hardware and software platform is designed to comply with the highest levels of safety and reliability, ensuring system availability.

Different types of process I/O modules can be easily arranged to meet various requirements.

All components can be replaced within 30 seconds, with the system in operation and without special knowledge or tools.

Features

- ▶ Commercial-off-the-shelf (COTS) components
- ▶ Isolated field bus RS485 / Modbus RTU
- ▶ Solid state technology
- ▶ Earth-fault and external voltage detection
- ▶ Galvanic isolated I/O channels
- ▶ Cover plate with project related channel labels

Extension Alarm System



The **EXtension Alarm System (XAS)** is an independent alarm system, which provides remote watch capability using field bus connectivity. Equipped with panels for the wheelhouse, engine control room, duty engineer's day room with buzzer in bedroom and public rooms. It notifies the engineer on duty in case of alarms and abnormal conditions. The system is designed for Unattended Machinery Space (UMS) operation and includes duty indication, alarm groups, fire and system failure indication, engineer call and selective call.

maresystems

www.maresystems.com

About us

maresystems GmbH is an experienced and worldwide operating service provider and the exclusive provider of **STEIN SOHN** automation.

On March 1, 2017, maresystems took over the further development, manufacturing, distribution and service of the **STEIN SOHN Camos®** and **vista® automation** systems from the former **STEIN SOHN** owner, Interschalt maritime systems GmbH (now MacGregor Germany GmbH).

STEIN SOHN was founded in 1878 and is one of the leading German manufacturers of ship automation systems for all types and sizes of vessels. They have references from more than 10,000 onboard installations worldwide.

Our impressive reference list demonstrates the confidence of many well-known shipping companies and shipyards worldwide that entrust us.

Beyond the automation products we also offer a wide range of further maritime services:

- ▶ **Maritime Navigation**
- ▶ **Radio Communication**
- ▶ **Ship Automation**
- ▶ **Ballast Water Treatment**

maresystems GmbH

Head Office

Kupferhammer 7 · 22399 Hamburg · Germany
Phone: +49 40 8972 7330 · E-mail: service@maresystems.com

Branch Office

Eichkamp 15 · 24217 Schönberg · Germany
Phone: +49 4344 307 0 · E-mail: info@maresystems.com

www.maresystems.com